

# ASSEMBLY INSTRUCTIONS



# PYRO

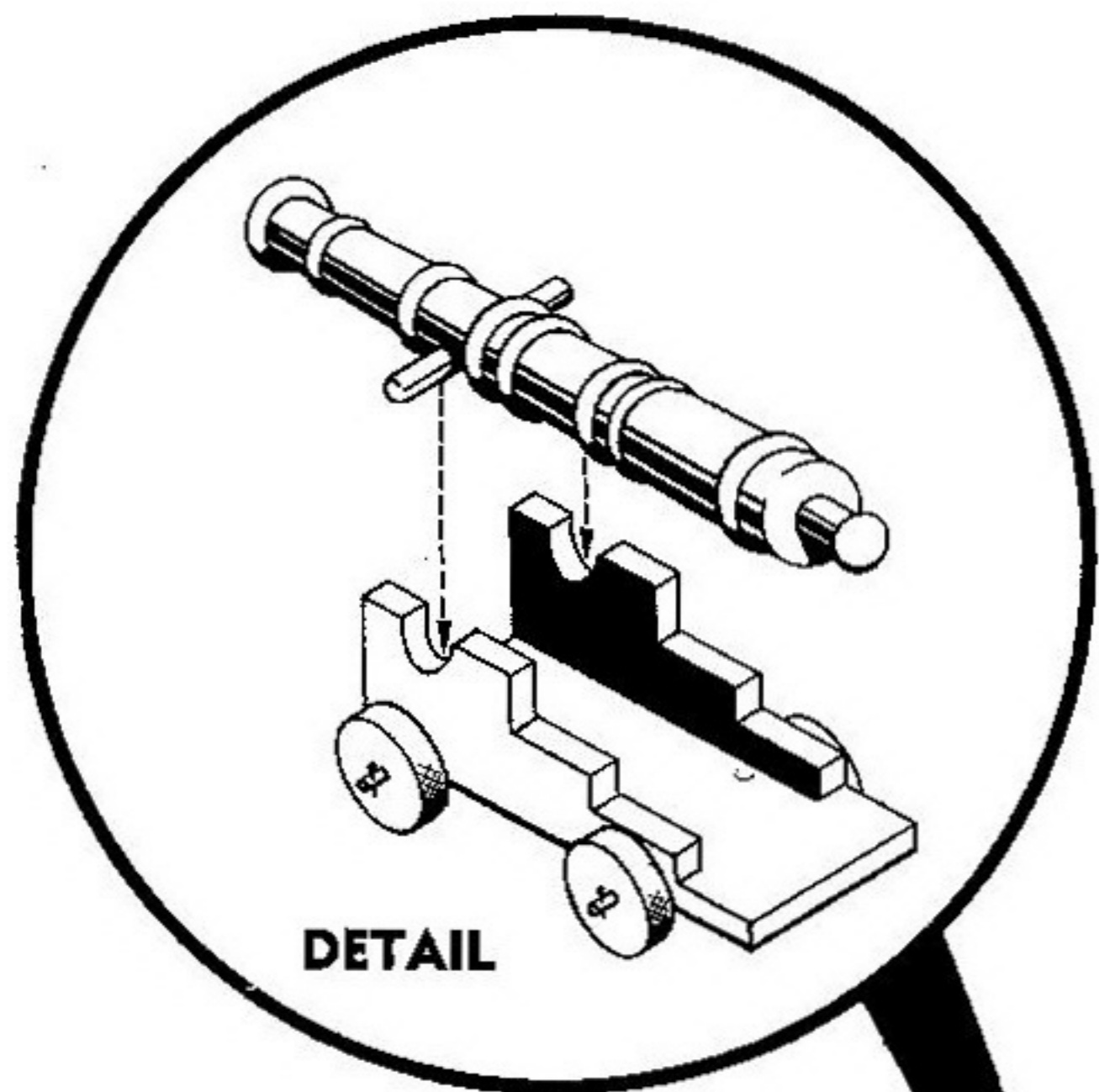
© PYRO PLASTICS CORP., 1967  
PYRO PARK, UNION, NEW JERSEY

MADE & PRINTED IN U.S.A.

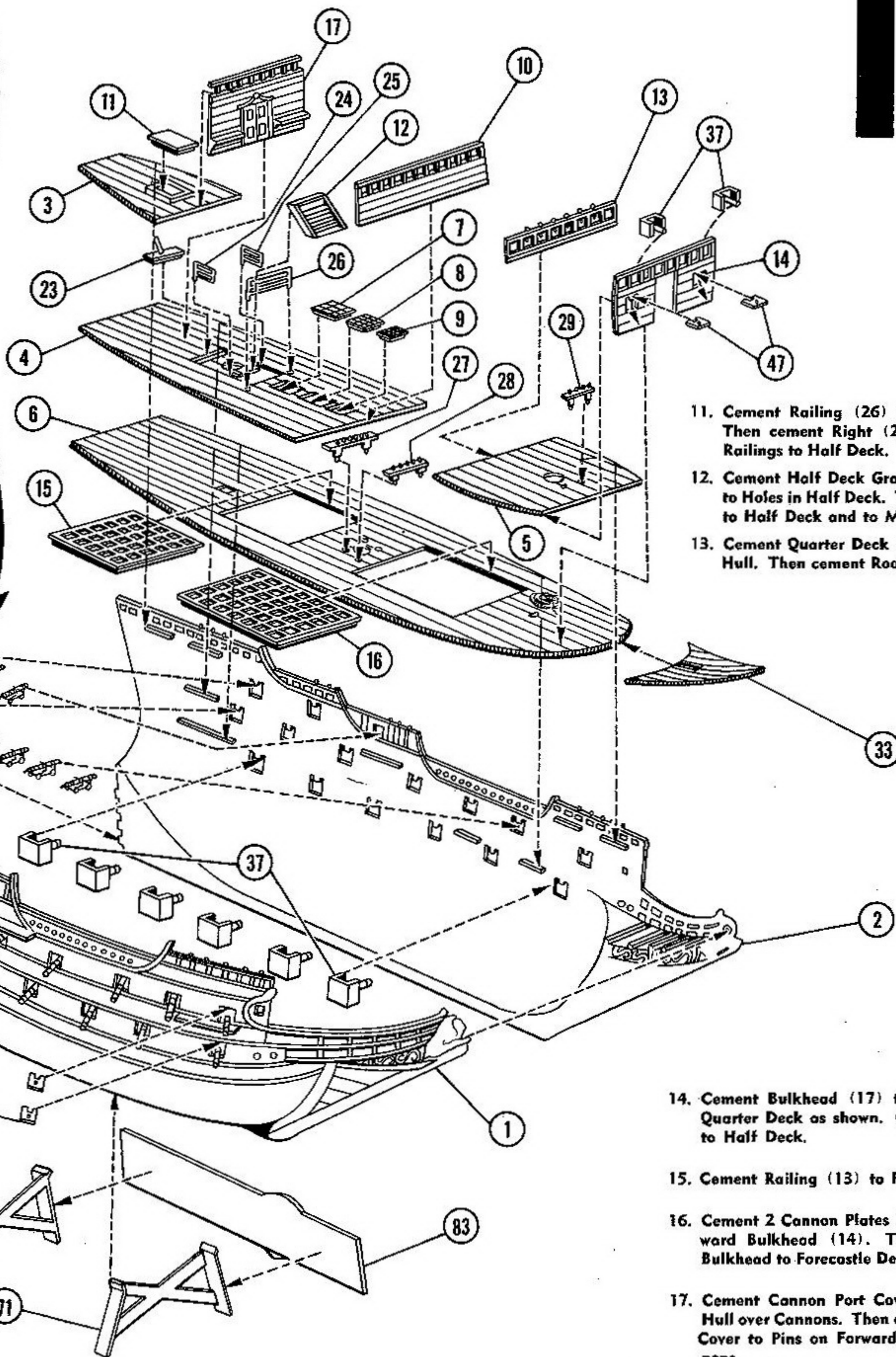
READ YOUR INSTRUCTION SHEET CAREFULLY BEFORE YOU START TO ASSEMBLE YOUR MODEL. USE ENAMEL OR PLASTIC PAINTS - YOU WILL FIND YOU CAN DO A BETTER JOB IF YOU PAINT MOST OF THE PARTS BEFORE ASSEMBLING. USE POLYSTYRENE CEMENT ONLY AND ALLOW PAINTED AND CEMENTED PARTS TO DRY THOROUGHLY BEFORE HANDLING. APPLY CEMENT CAREFULLY AND AVOID GETTING CEMENT ON HANDS SO AS NOT TO MAR PLASTIC SURFACES.

## FIG. 1

# 11



1. Cement Cannon Plates (37) to inside of Left Hull Half (2) and Right Hull Half (1).
2. Cement Hull Halves together. Then cement Main Deck (6) to Ribs on inside of Hull Halves as shown in drawing.
3. Cement Gratings (15) and (16) to Main Deck.
4. Cement Fife Rails (27) and (28) to Main Deck. Then cement Beakhead Deck (33) to Main Deck and to Hull.



11. Cement Railing (26) to Holes in Half Deck. Then cement Right (24) and Left (25) Side Railings to Half Deck.
12. Cement Half Deck Gratings (7), (8) and (9) to Holes in Half Deck. Then cement Stairs (12) to Half Deck and to Main Deck.
13. Cement Quarter Deck (3) to Ribs on inside of Hull. Then cement Roof (11) to Quarter Deck.

5. Cement Name Plate (83) to Stands (71). Then cement Completed Stand to Hull.
6. Assemble Cannons (SEE DETAIL) and cement to Main Deck and through Holes in Hull.
7. Cement Rudder (21) to Hull.
8. Cement Forecastle Deck (5) to Ribs on inside of Hull. Then cement Fife Rail (29) to Forecastle Deck.
9. Cement Half Deck (4) to Ribs on inside of Hull. Then cement Whip Staff (23) to Half Deck.
10. Cement Remaining 6 Cannons to Half Deck and through Holes in Hull.

14. Cement Bulkhead (17) to Half Deck and to Quarter Deck as shown. Cement Railing (10) to Half Deck.
15. Cement Railing (13) to Forecastle Deck.
16. Cement 2 Cannon Plates (37) to Holes in Forward Bulkhead (14). Then cement Forward Bulkhead to Forecastle Deck and to Main Deck.
17. Cement Cannon Port Covers (47) to Pins on Hull over Cannons. Then cement 1 Cannon Port Cover to Pins on Forward Bulkhead over Cannons.

**NOTE: For Further painting details refer to illustration on top of package.**

18. Cement 2 Cannon Plates (37) through Holes in Transom. Then cement Transom (32) to Rear of Hull.

19. Cement 2 Cannon Port Covers to Pins on Transom over Cannons.

20. Cement Right Side Castle (31) to Right Hull Half as shown. Repeat for Left Side with Left Side Castle.

21. Cement Pins on Flag (43) to Holes in Quarter Deck.

22. Cement Left Lamp Halves (18) to Right Lamp Halves (19). Then cement 3 Completed Lamps to Transom and 1 to Rear of Right and Left Railing.

23. Cement Square Pins on Catheads (81) to Square Holes in both sides of Hull. Then cement Belaying Pins (22) to inside of Hull in positions shown.

24. Cement 2 Life Boat Stands (82) to Grating (16) on Main Deck. Then cement Life Boat (46) to Life Boat Stand.

25. Cement Life Boat Insert (50) to Life Boat. Then cement Oars (54) to Life Boat Insert.

26. Cement Mizzen Mast (38) through Hole in Half Deck and to Square Hole in Main Deck. Then cement Yard (72) to Mizzen Mast. Also cement Flag (75) to Mizzen Mast.

27. Cement Lower Main Mast (45) to Hole in Middle of Main Deck. Then cement Middle Main Mast (41) to Lower Main Mast.

28. Cement Top Main Mast (42) to Middle Main Mast. Then cement Flag (73) to Top Main Mast.

29. Cement Lower Fore Mast (44) through Hole in Forecastle Deck and to Half Circle Hole in Main Deck. Then cement Middle Fore Mast (39) to Lower Fore Mast.

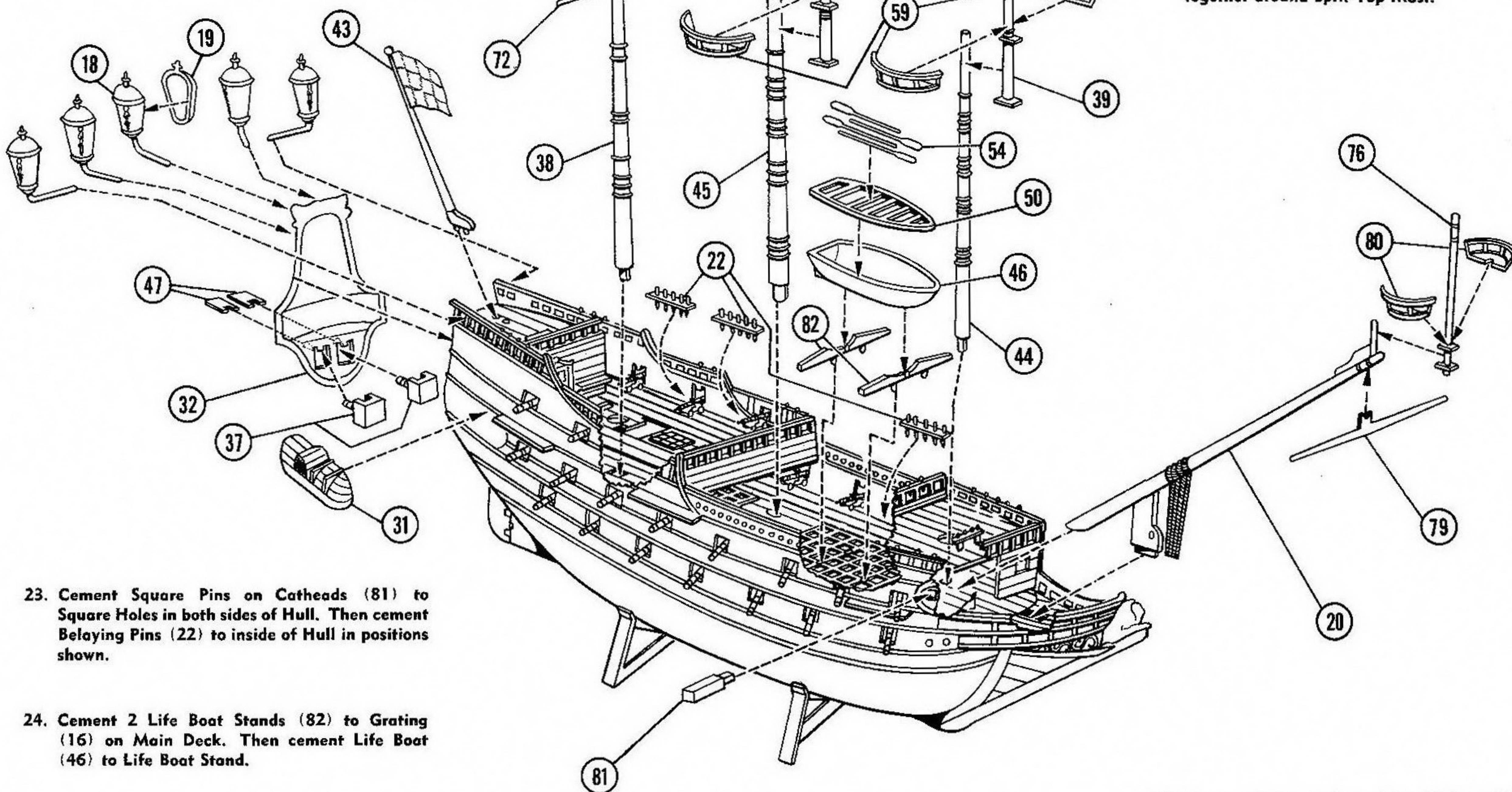
30. Cement Top Fore Mast (40) to Middle Fore Mast. Then cement Flag (74) to Top Fore Mast.

31. Cement Rectangular Pin on Bowsprit (20) to Rectangular Hole in Beakhead Deck. Then cement Yard (79) to Bowsprit.

32. Cement Sprit Top Mast (76) to Bowsprit. Then cement Sprit Top Mast Crows Nest Halves (80) together around Sprit Top Mast.

33. Cement 2 Small Crows Nest Halves (58) together around Mizzen Mast in position shown.

34. Cement 2 Large Crows Nest Halves (59) together around Main Mast in position shown. Then cement 2 Small Crows Nest Halves (58) together around Main Mast in position shown. Repeat this procedure for Fore Mast.

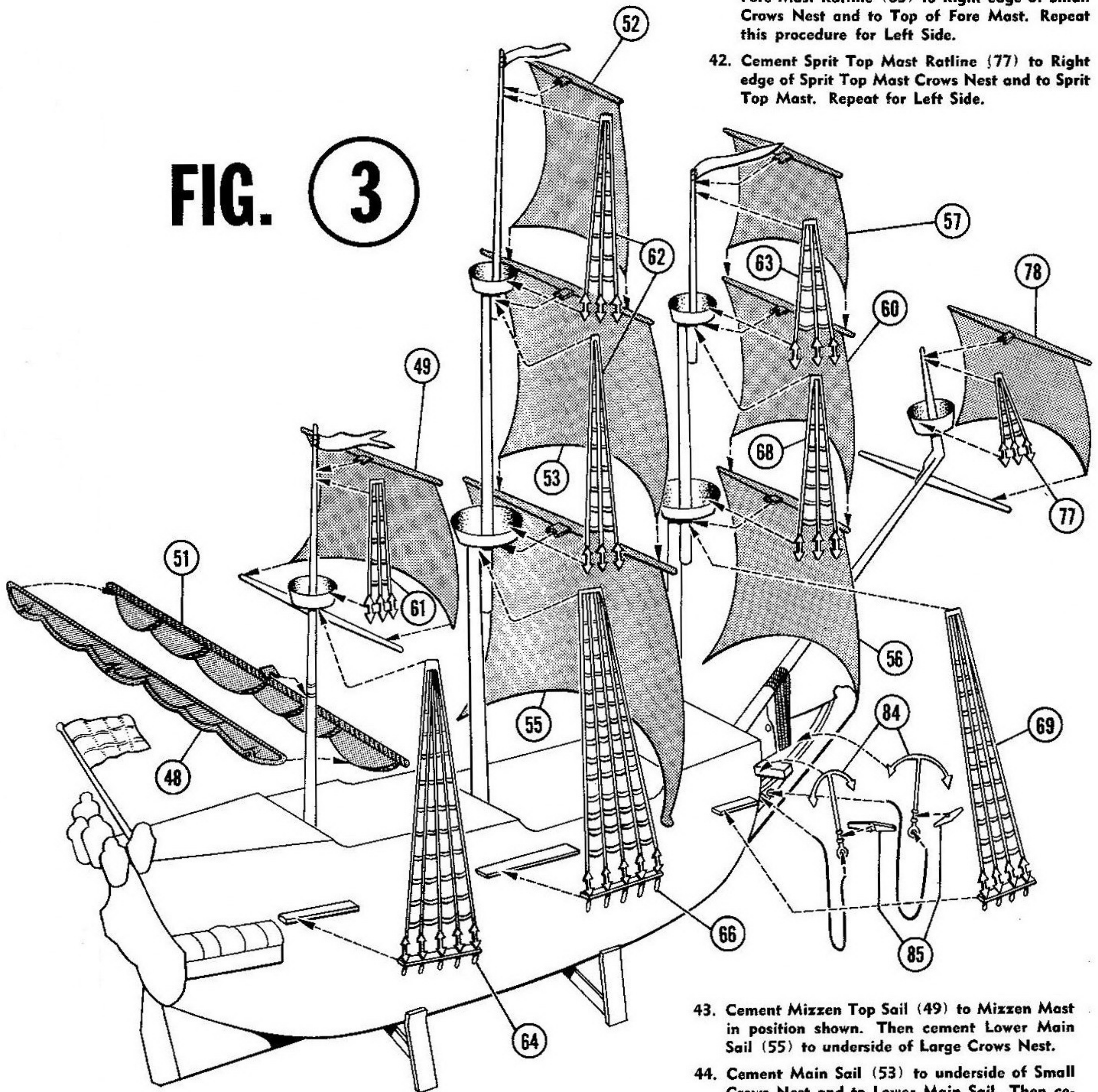


**FIG. 2**

35. Cement Mizzen Sail Half (48) to Mizzen Sail Half (51). Then cement Completed Mizzen Sail to Mizzen Mast.
36. Cement Right Lower Mizzen Ratline (64) to Rib on outside of Hull and to underside of Crows Nest on Mizzen Mast. Repeat procedure for Left side with Left Lower Mizzen Ratline

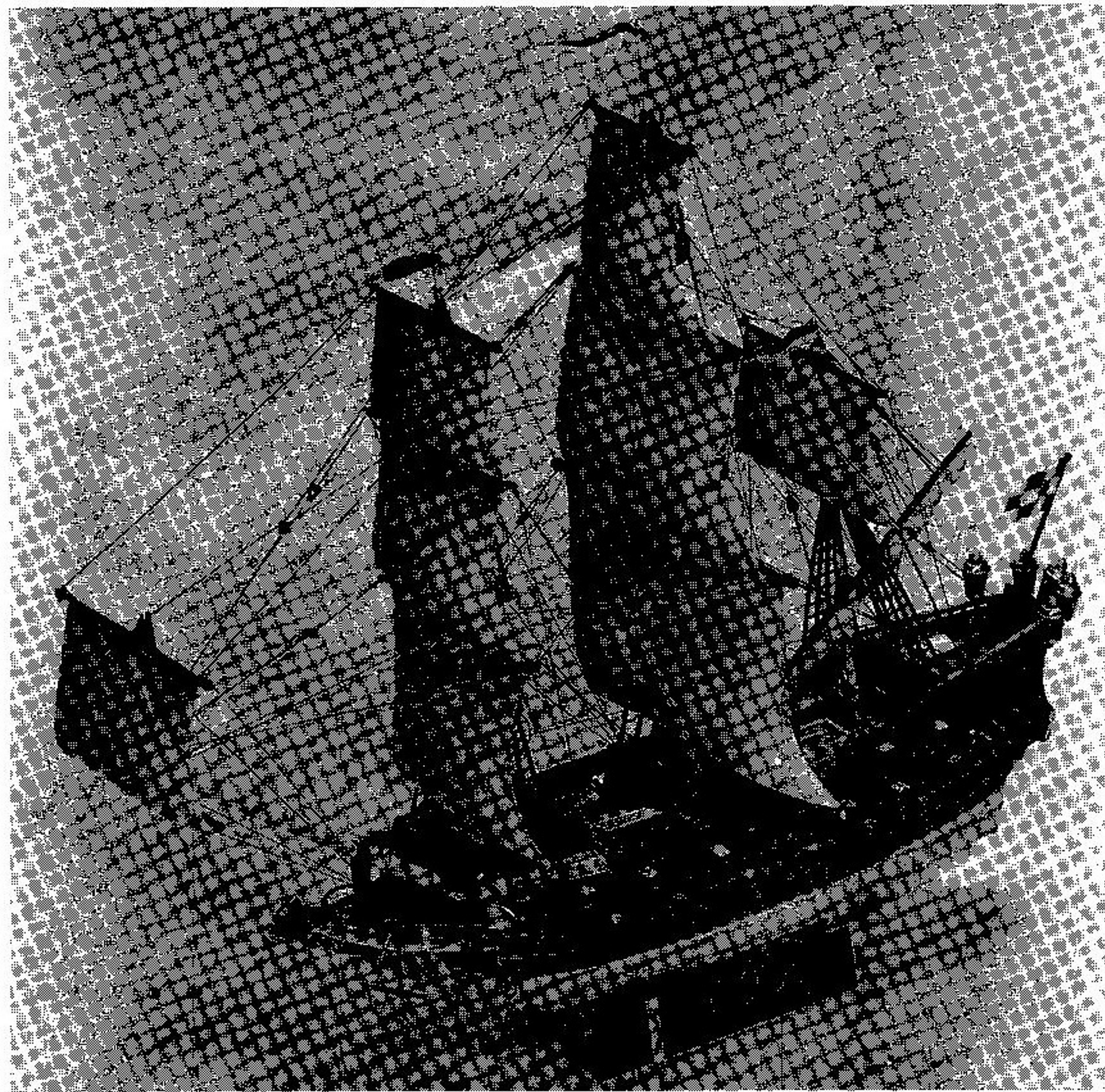
40. Cement Right Lower Fore Mast Ratline (69) to Rib on outside of Hull and to underside of Large Crows Nest on Fore Mast. Repeat with Left Lower Fore Mast Ratline on Left Side.
41. Cement Fore Mast Ratline (68) to Right edge of Large Crows Nest and to underside of Small Crows Nest on Fore Mast. Then cement Upper Fore Mast Ratline (63) to Right edge of Small Crows Nest and to Top of Fore Mast. Repeat this procedure for Left Side.
42. Cement Sprit Top Mast Ratline (77) to Right edge of Sprit Top Mast Crows Nest and to Sprit Top Mast. Repeat for Left Side.

**FIG. 3**

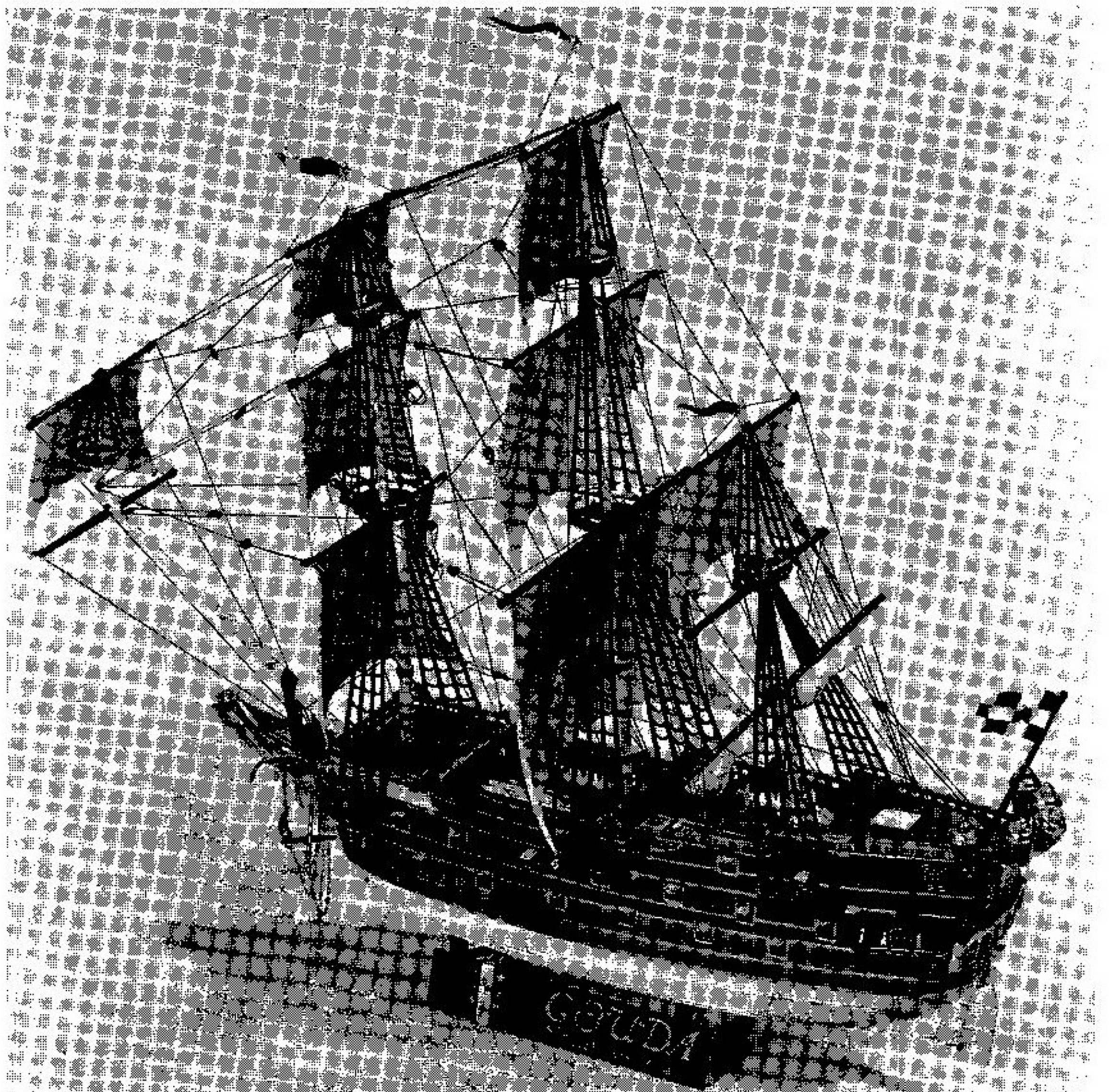
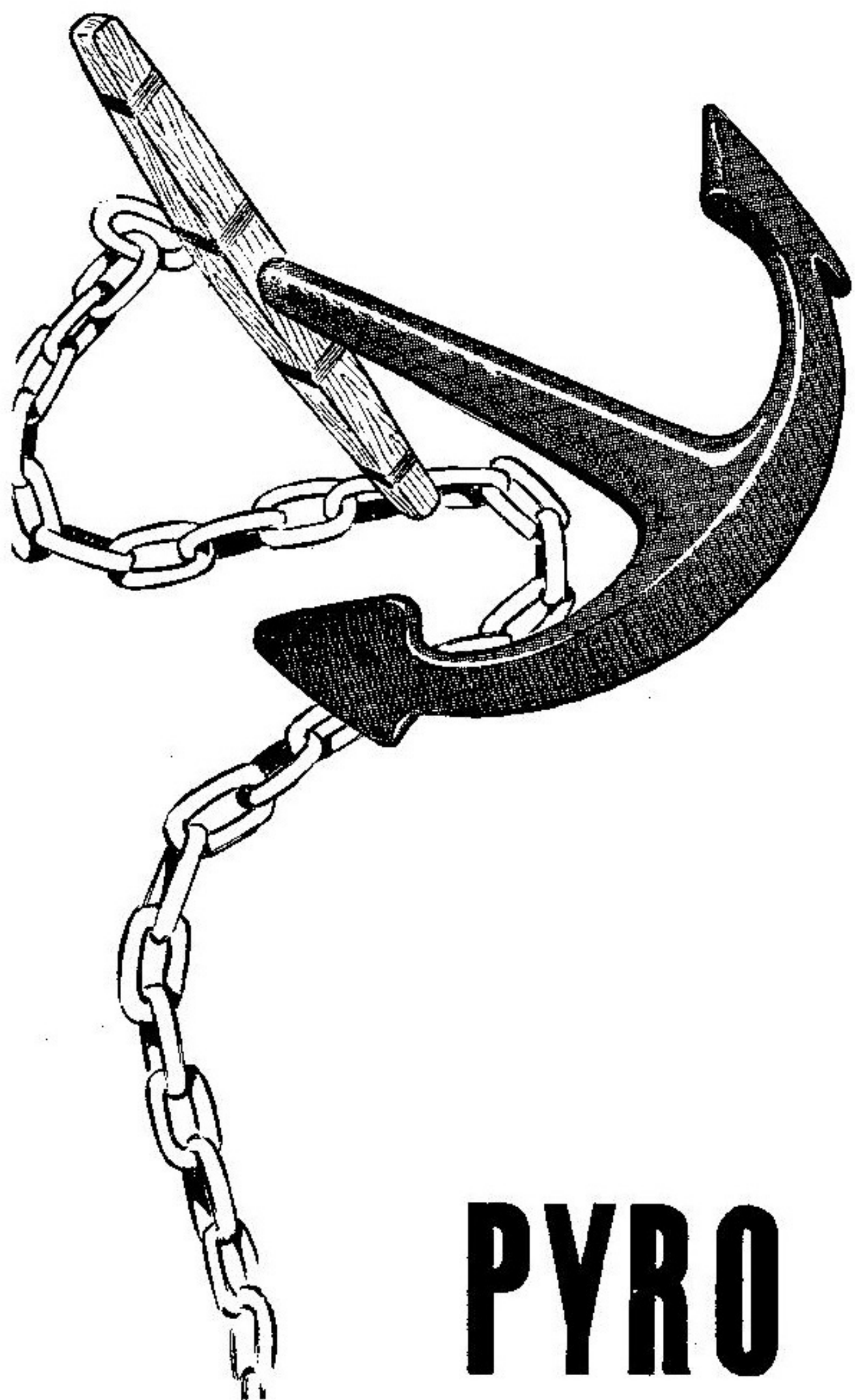


37. Cement Mizzen Ratline (61) to Right Side of Mizzen Mast and to Right edge of Crows Nest. Repeat for Left Side.
38. Cement Right Lower Main Ratline (66) to Rib on outside of Hull and to underside of Large Crows Nest on Main Mast. Repeat for Left Side with Left Lower Main Ratline.
39. Cement 1 Main Ratline (62) to Right edge of Large Crows Nest and to underside of Small Crows Nest on Middle Main Mast. Then cement another Main Ratline (62) to Right edge of Small Crows Nest and to Top Main Mast. Repeat this complete procedure for Left Side of Main Mast.

43. Cement Mizzen Top Sail (49) to Mizzen Mast in position shown. Then cement Lower Main Sail (55) to underside of Large Crows Nest.
44. Cement Main Sail (53) to underside of Small Crows Nest and to Lower Main Sail. Then cement Top Main Sail (52) to Top of Main Mast and to Main Sail.
45. Cement Lower Fore Sail (56) to underside of Large Crows Nest on Fore Mast. Then cement Fore Sail (60) to underside of Small Crows Nest and to Lower Fore Sail.
46. Cement Top Fore Sail (57) to Top of Fore Mast and to Fore Sail. Then cement Sprit Top Mast Sail (78) to Sprit Top Mast and to Yard (79).
47. Cement 1 Anchor Stock (85) to each of 4 Anchors (84). Cement first Anchor over rail at Bow. Cement Second Anchor over Cathead. Cement a length of thread through each Anchor eye and into small Hole in Hull at Bow. Repeat for Left Side.



**11**



● Refer to this photo for suggested Rigging Detail.

**PYRO**